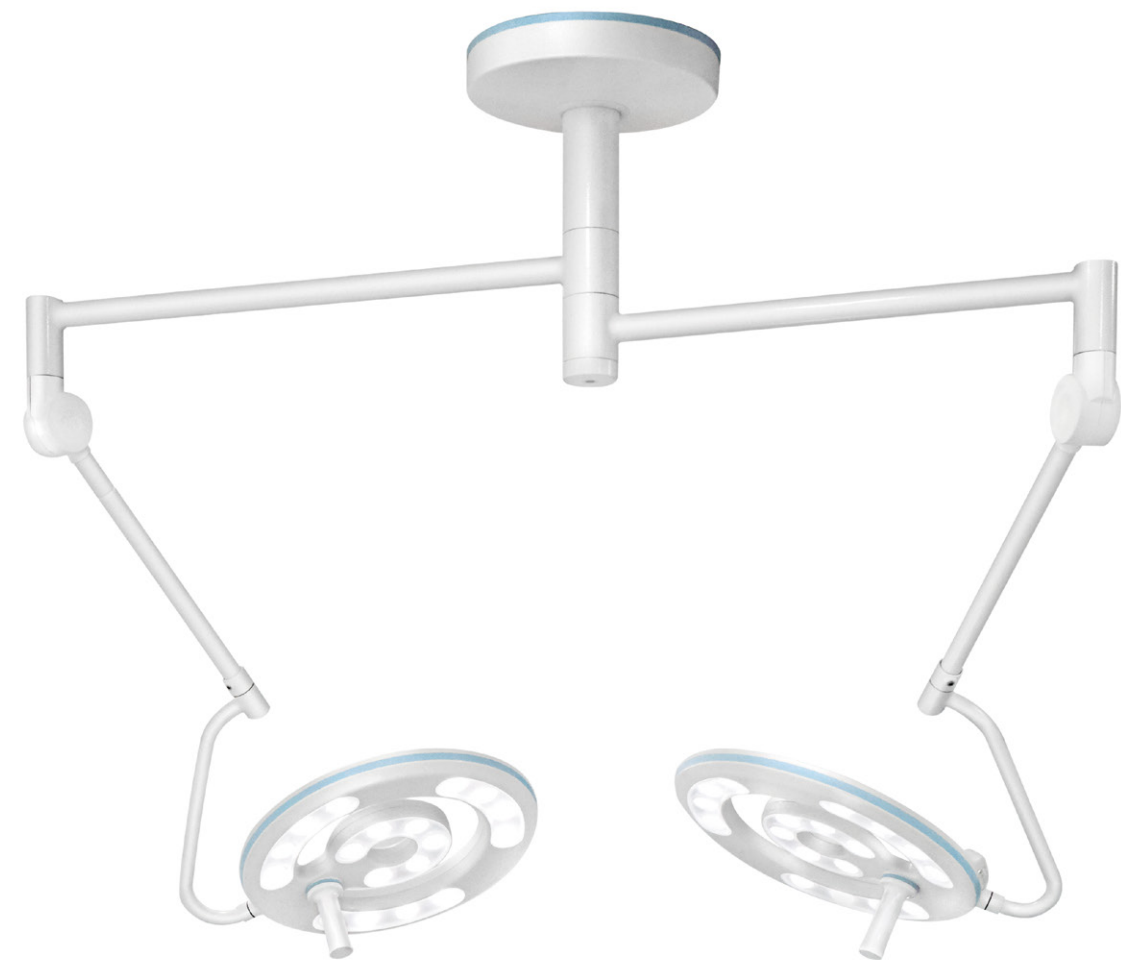


## Technical Specifications

	HyLED 580 Vet series
Central illuminance (at 1m distance)	160.000 lux
Light field diameter (at 1m distance)	220 mm
Depth of illumination (20%)	1200 mm
Color temperature	4350 K
Color rendering index (Ra)	96
Color rendering index (R9)	96
Service life of bulb	≥60,000h
Number of LED bulbs	18

## HyLED 580 Vet series

LED Surgical Lights



# HyLED 580 Vet

HyLED 580 Vet series inherit Mindray's advanced LED surgical Light technology and provides excellent illumination. It meets the requirements of different animal surgeries, such as radical surgery, palliative surgery, emergency surgery, non-emergency surgery, aseptic surgery and infection surgery.

## • Excellent illumination (Soft light reduces animal's stress.)

**Flexible illuminance:** The illuminance is adjustable across 10 levels, with a maximum of 160,000 lux (1m).

**High fidelity:** At a color temperature of 4350K, both Ra and R9 can reach 96 CRI.



## • Infection control design (The antibacterial design prevents secondary infection.)

**Effective antibacterial application:** The international standard antibacterial powder applied on the surface inhibits the growth of staphylococcus aureus.

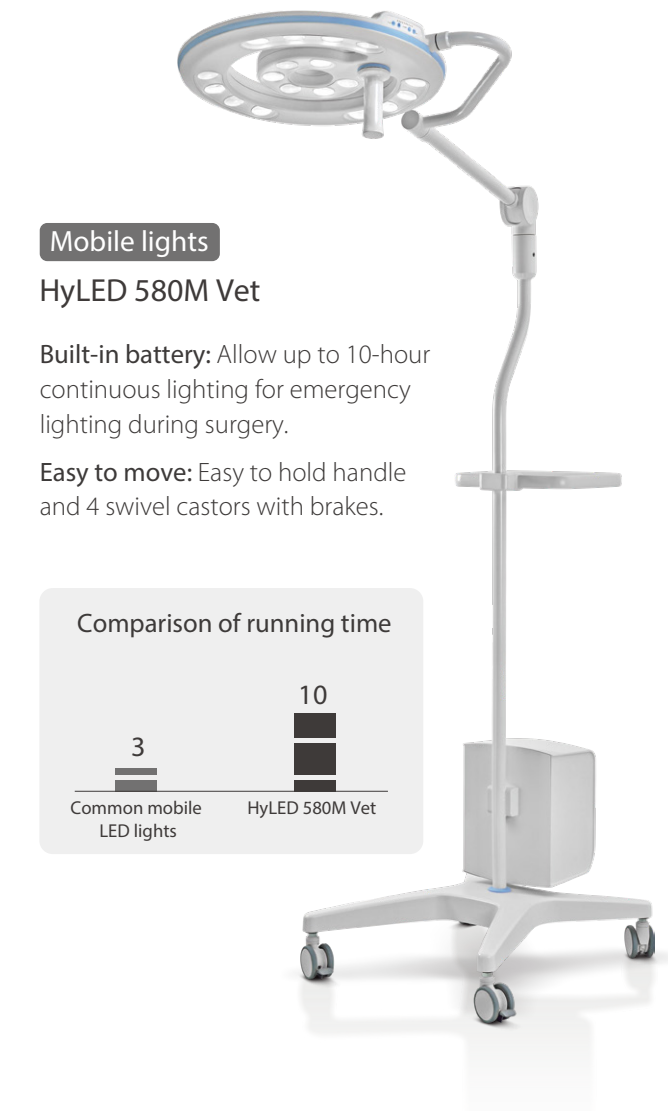
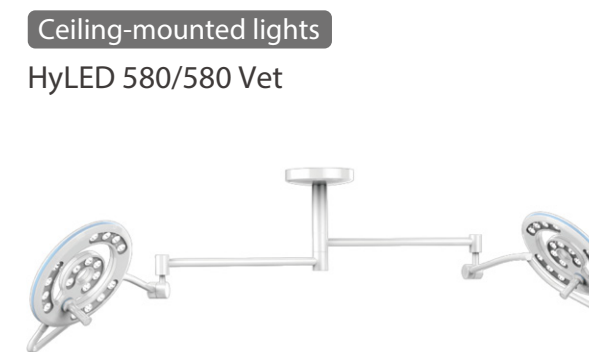
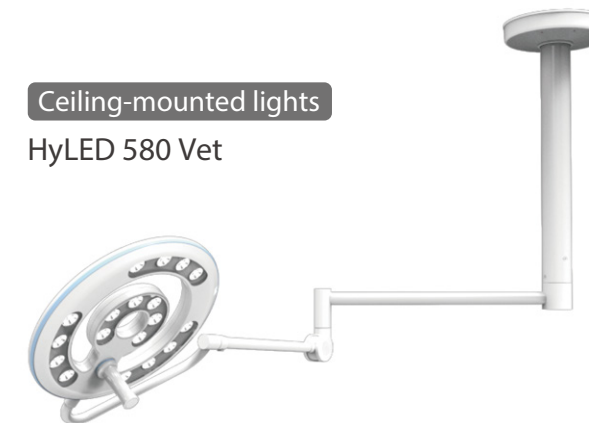
Type of bacteria	Concentration of inoculated strains (per/mL)	Quantity of inoculated strains (mL)	Average logarithm of strains (per/cm <sup>2</sup> ) after different contact times			Value of antibacteri-al activity
			/	"0 hour"	"24 hour"	
Escherichia coli ATCC 8739	1.1X10 <sup>6</sup>	0.2	Sample	/	0.21	5.5
			Control sample	4.18	5.69	
Staphylococcus aureus ATCC 6538P	1.1X10 <sup>6</sup>	0.2	Sample	/	-0.20	5.8
			Control sample	4.11	5.56	

**Infection control:** The optional re-sterilizable handle prevents infection during surgery.

## • Excellent illumination (Specialized LED light source ensures long-term use.)

**Superior light supplier:** Germany Osram LED bulbs

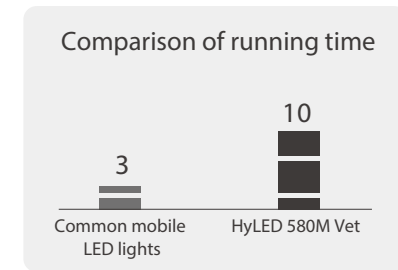
**Long service life:** LED bulb service life up to 60,000 hours (equal to 6 years of continuous lighting)



**Mobile lights**  
HyLED 580M Vet

**Built-in battery:** Allow up to 10-hour continuous lighting for emergency lighting during surgery.

**Easy to move:** Easy to hold handle and 4 swivel castors with brakes.



1.Wikipedia, Color Rendering Index.